

Peter Besant  
Tel – 07807225801  
prmrp@fsmail.net  
[www.prmrp.com](http://www.prmrp.com)

**BRL-008**  
**LIMA Class 33 Bogie Sides**

**Building Instructions**

**SCALE MODEL PRODUCT FOR ADULT MODELLERS ONLY.  
WHITE METAL CONTAINS LEAD - WASH HANDS AFTER USE.  
MAY CONTAIN SMALL PARTS. ETCHED BRASS HAS FUNCTIONAL SHARP EDGES  
- HANDLE WITH EXTREME CARE**

Thank you for purchasing this kit.

This instruction pack should provide guide for building this model given some experience of soldering and the basics of etched kit construction.

Please read all the pack before starting to build.

Drawings and photos are essential for builders to acquaint themselves with the prototype they wish to model.

For builders of modern image in 7mm, consider joining MIGO+1, the Modern Image Gauge 0/1 organisation. For more details see the MIGO+1 website at [www.migo.org](http://www.migo.org)

NIGEL STANLEY MODELS  
PO Box 377  
Epsom  
Surrey  
KT18 5WY

www.nigelstanley.com

01737 279764

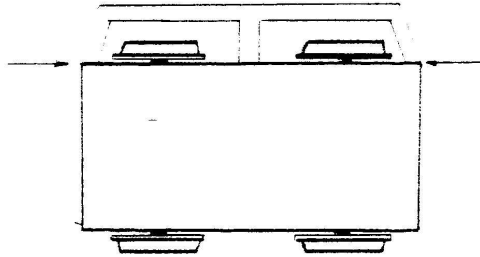
**GAUGE 0**

These sideframes allow you to replace the Lima ones with a visually more accurate unit without major modifications to the chassis

**BRL-008**

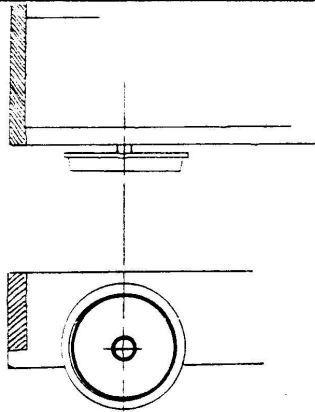
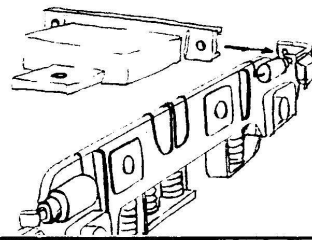
- NON POWERED BOGIE

- POWER BOGIE



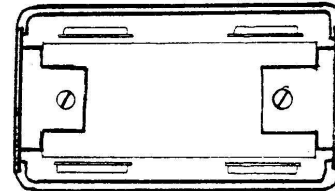
(Step 1) Cut off sideframes as shown

(Step 4)  
Unscrew sideframe unit and retain screws.  
Assemble sideframes as in Step 3 using end units shown

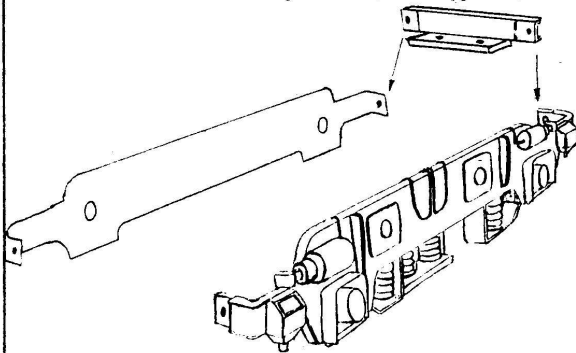


(Step 2) Remove shaded area on both ends

(Step 5)  
Using screws from original bogie attach sideframes to bogie



(Step 3) Assemble sideframes as shown and drop into place on bogie. Drill out holes and attach to the chassis using bolts (not supplied)



The conversion is intended for those who are replacing the Lima couplings with screw couplings and if you wish to retain the original couplings, a bracket will have to be fixed to the new end units

P. STEEDMAN 94